

Select brand Product range Model name Search

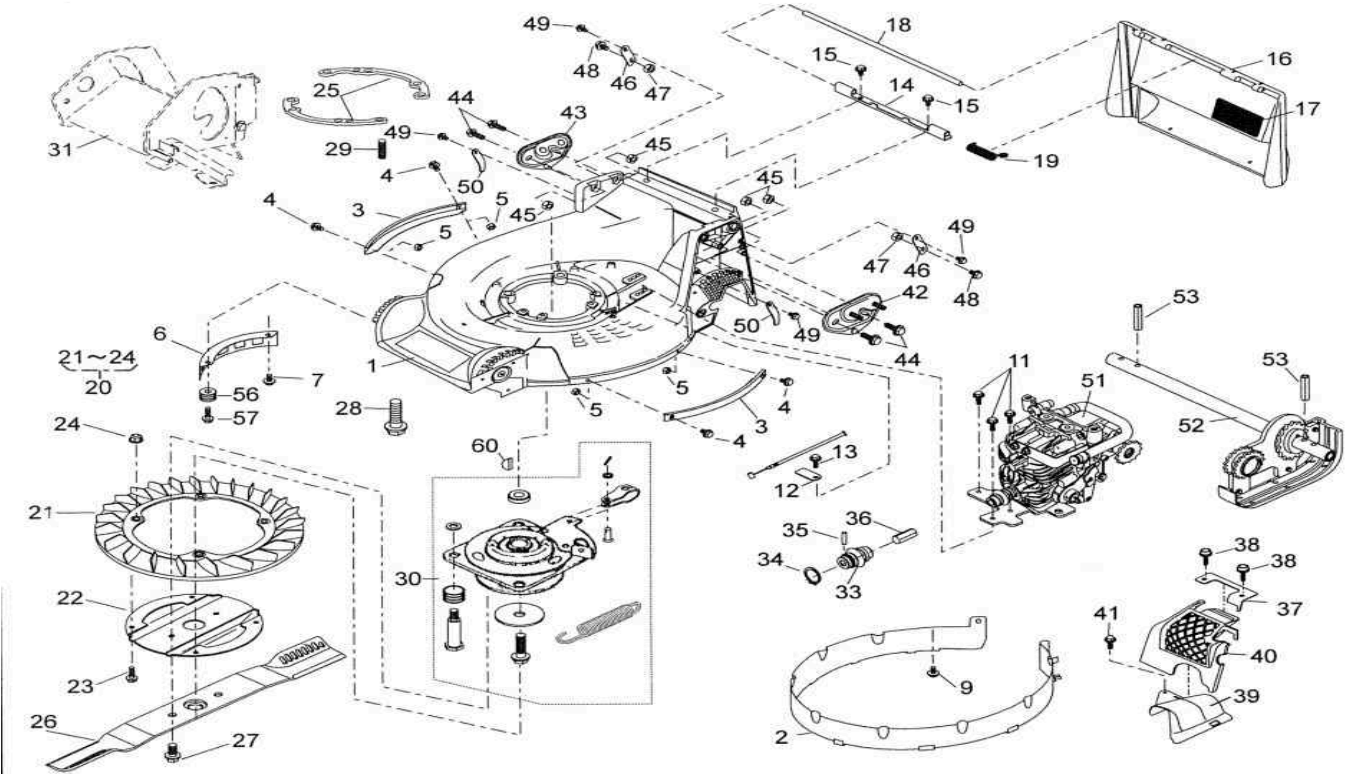
Select model code ..Choose section < > Reset

Indicate component part ...Choose section < > Reset

Indicate engine model Search ...Choose section < > Reset

※Enter information in the green box to narrow down the search and then click the "Search" button.

GRASS-CUTTING-HST-PRO	Date : 01. Jan, 2010	Revision : 00	Page : 1/2
Brand : IDEAL	Model : TN2160SXAK-HST-PRO	Product Code : 619552	



(A) TN2160SXAK-HST-PRO

(B)

(C)

Ref.No	Parts.No	Parts.Name	(A)Q'ty	(B)Q'ty	(C)Q'ty	Remark
1	51043-151-42	HOUSING	1			
2	36068-204	GUARD	1			
3	51090-117-09	PROTECTOR	2			
4	335L0616	FLANGE BOLT	4			
5	512L0600	HEXAGON NUT	4			
6	36065-180	COVER	1			
7	342L0612	FLANGE TAPPING BOLT	1			
9	342L0612	FLANGE TAPPING BOLT	1			
11	342L0612	FLANGE TAPPING BOLT	3			
12	11113-407	STAY	1			
13	342L0612	FLANGE TAPPING BOLT	1			
14	11113-292	STAY	1			
15	342L0612	FLANGE TAPPING BOLT	2			
16	36068-196-46	GUARD	1			
17	36080-149	RUBBER SHEET	1			
18	64014-324	SHAFT	1			
19	68013-336	SPRING	1			
20	71082-111	FAN ASS Y	1			
21	51125-103	FAN	1			
22	11102-151	HOLDER	1			
23	31062-169	PRE-COAT LOCK BOLT	4			
24	579L0600	FLANGE NUT	4			
25	61024-209	SPACER	2			
26	91014-188	BLADE	1			
27	335M1020	FLANGE BOLT	2			
28	335L1045	FLANGE BOLT	3			
29	31039-116	STUD	1			
30	71182-109	BRAKE SET (BBC)	1			
33	91097-101	UNIVERSAL JOINT	1			
34	812V2000	C-SNAP RING	1			

Select brand Product range Model name

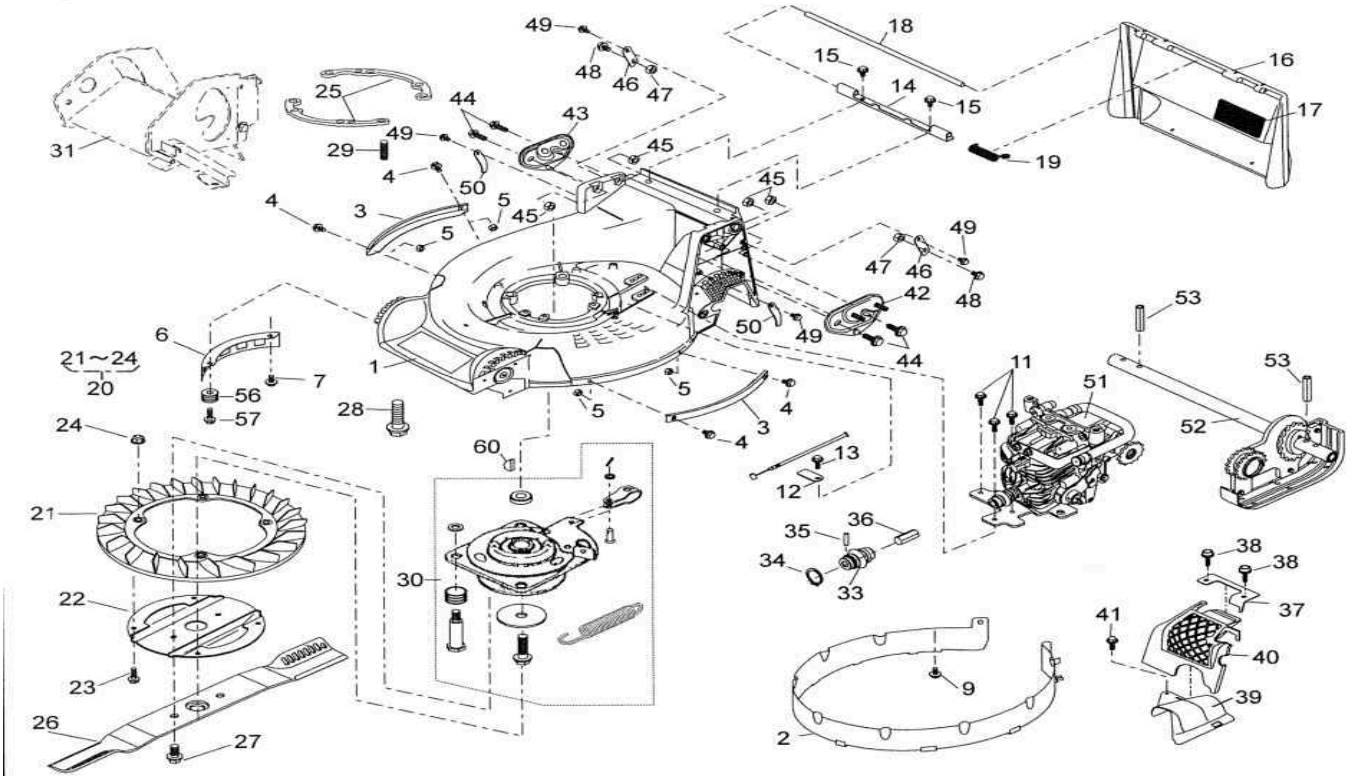
Select model code ..Choose section

Indicate component part ...Choose section

Indicate engine model Search ...Choose section

※Enter information in the green box to narrow down the search and then click the "Search" button.

GRASS-CUTTING-HST-PRO	Date : 01. Jan, 2010	Revision : 00	Page : 1/2
Brand : IDEAL	Model : TN2160SXAK-HST-PRO	Product Code : 619552	



35	717B0418	PARALLEL PIN	1			
36	64014-367	SHAFT	1			
37	11050-181	FIXING PLATE	1			
38	423L0820	SOCKET SCREW FLANGE	2			
39	36065-453	COVER	1			
40	36065-454	COVER	1			
41	342L0616	FLANGE TAPPING BOLT	1			
42	51116-149	HANDLE BRACKET	1			
43	51116-150	HANDLE BRACKET	1			
44	31057-255	BOLT (M8x25)	4			
45	512L0800	HEXAGON NUT	4			
46	11113-408	STAY	2			
47	512L0800	HEXAGON NUT	2			
48	31057-181	BOLT	2			
49	342L0612	FLANGE TAPPING BOLT	4			
50	11113-415	STAY	2			
51	71900-979	HST ASS Y	1			
53	711V0522	SPRING PIN	2			
56	11083-270	COLLAR	1			
57	342L0620	FLANGE TAPPING BOLT	1			
60	92038-2099	KEY	1			

Select brand Product range Model name

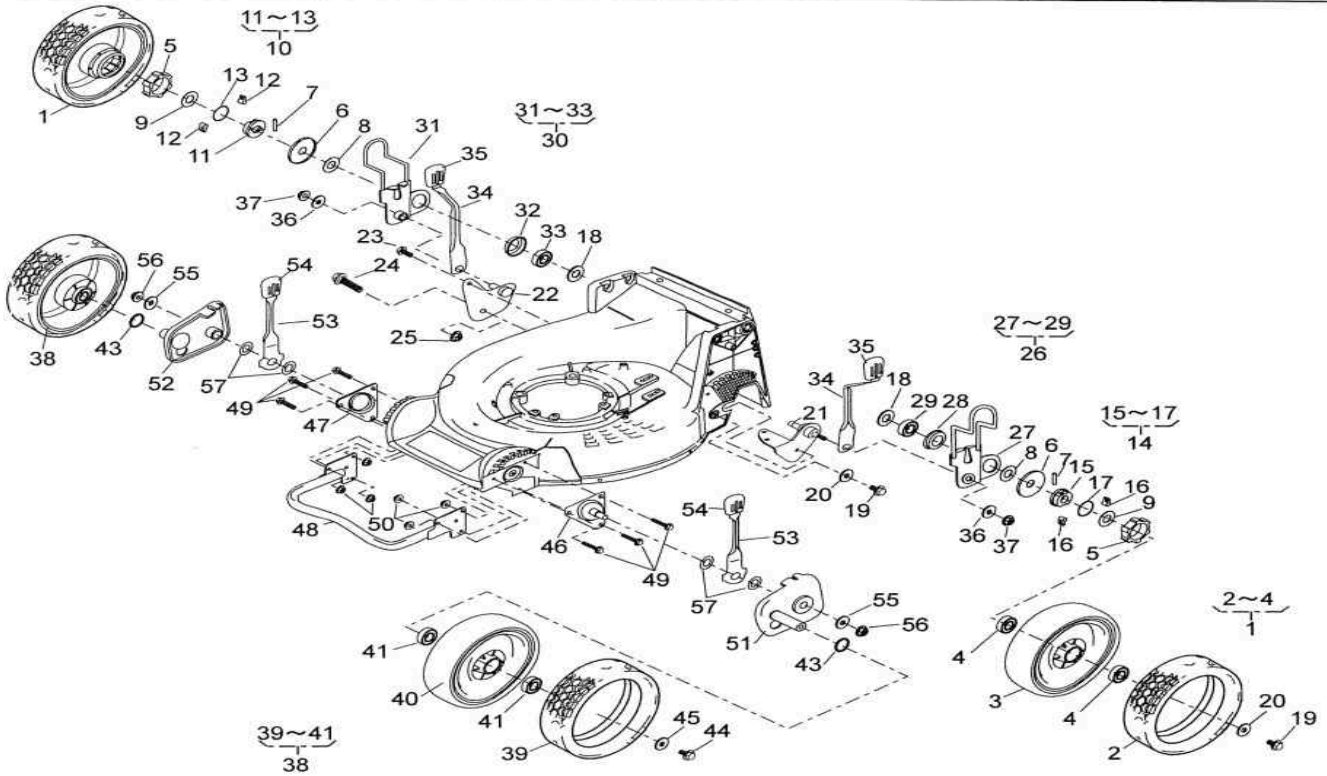
Select model code ..Choose section

Indicate component part ...Choose section

Indicate engine model Choose. ...Choose section

※Enter information in the green box to narrow down the search and then click the "Search" button.

9.6\"AI-WHEEL-HST-PRO	Date : 01. Feb, 2010	Revision : 01	Page : 1/2
Brand : IDEAL	Model : TN2160SXAK-HST-PRO	Product Code : 619552	



(A) TN2160SXAK-HST-PRO

(B)

(C)

Ref.No	Parts.No	Parts.Name	(A)Q`ty	(B)Q`ty	(C)Q`ty	Remark
1	71041-144	WHEEL ASS Y	2			
2	91086-116	TIRE	2			
4	916B6002	BEARING (6002DDC3)	4			
5	11086-119	STOPPER	2			
6	61003-112	THRUST PLATE	2			
7	31034-137	PIN	2			
8	68036-270	WASHER (15.2x26x1.6)	2			
9	68036-146	WASHER (16x31.5x1.0)	2			
10	71158-104	RATCHET ASS Y	1			
11	11102-235	HOLDER	1			
12	31034-170	PIN	2			
13	68013-266	SPRING	1			
14	71158-103	RATCHET ASS Y	1			
15	11102-235	HOLDER	1			
16	31034-170	PIN	2			
17	68013-266	SPRING	1			
18	68036-275	WASHER (15.2x26x3.2)	2			
19	31057-181	BOLT	3			
20	68036-101	WASHER (9x25x2.3)	3			
21	11006-162	STAY C.P.	1			
22	11006-152	STAY C.P.	1			
23	342L0612	FLANGE TAPPING BOLT	1			
24	31057-255	BOLT (M8x25)	1			
25	584L0800	U-FLANGE NUT	1			
26	71122-110	ADJUSTER ASS Y	1			
27	11142-125	ADJUSTER	1			
28	11102-228	HOLDER	1			
29	916B6202	BEARING (6202DDC3)	1			
30	71122-111	ADJUSTER ASS Y	1			
31	11142-126	ADJUSTER	1			

Select brand Product range Model name

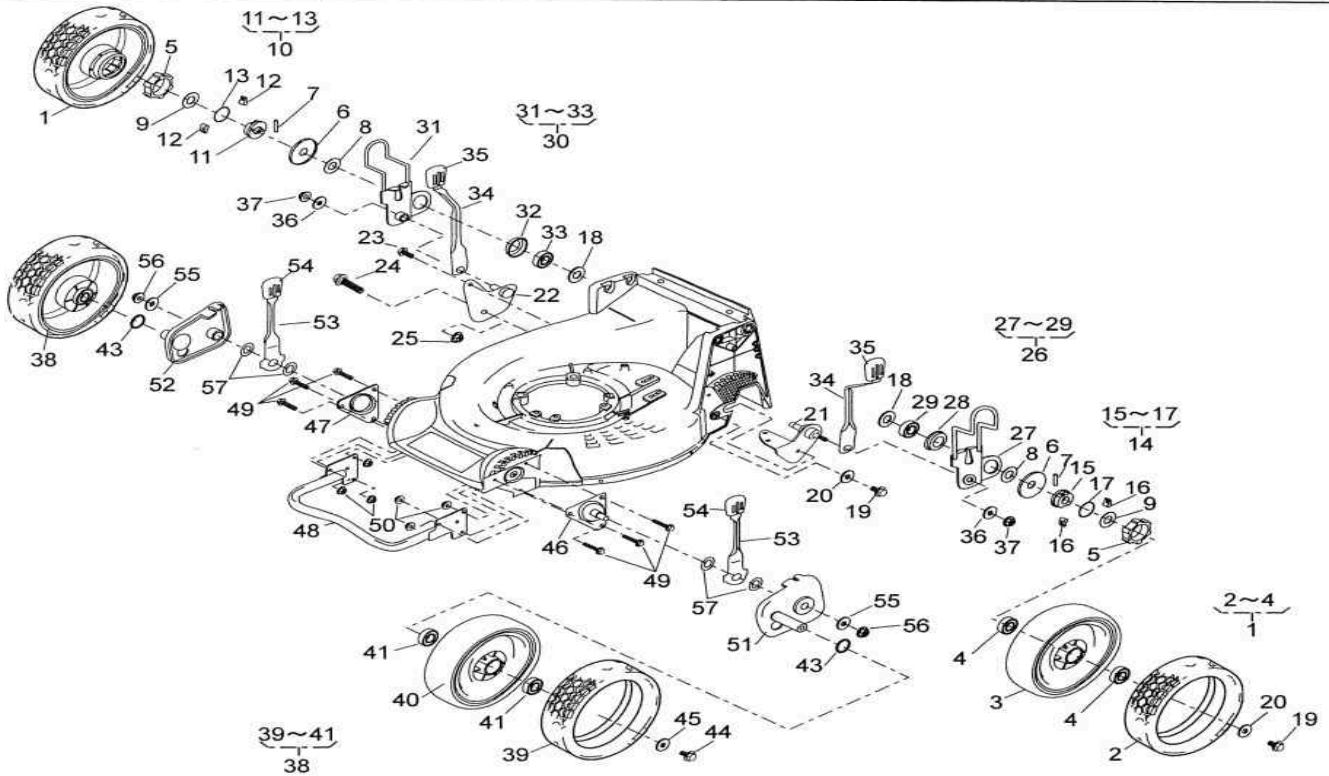
Select model code ..Choose section

Indicate component part ...Choose section

Indicate engine model Choose. ...Choose section

※Enter information in the green box to narrow down the search and then click the "Search" button.

9.6\"AI-WHEEL-HST-PRO	Date : 01. Feb, 2010	Revision : 01	Page : 1/2
Brand : IDEAL	Model : TN2160SXAK-HST-PRO	Product Code : 619552	



- (A) TN2160SXAK-HST-PRO
- (B)
- (C)

32	11102-228	HOLDER	1			
33	916B6202	BEARING (6202DDC3)	1			
34	11150-105-09	ADJUST LEVER	2			
35	36061-121	KNOB	2			
36	613L0800	PLAIN WASHER	2			
37	569L0800	FLANGE NYLON NUT	2			
38	71041-145	WHEEL ASS Y	2			
39	91086-116	TIRE	2			
41	916B6002	BEARING (6002DDC3)	4			
43	51113-119	RING	2			
44	31057-181	BOLT	2			
45	68036-101	WASHER (9x25x2.3)	2			
46	11006-153	STAY C.P.	1			
47	11006-154	STAY C.P.	1			
48	11153-112	BUMPER	1			
49	335L0625	FLANGE BOLT	6			
50	569L0600	FLANGE NYLON NUT	6			
51	11142-127	ADJUSTER	1			
52	11142-128	ADJUSTER	1			
53	11150-109-09	ADJUST LEVER	2			
54	36061-121	KNOB	2			
55	68036-101	WASHER (9x25x2.3)	2			
56	584L0800	U-FLANGE NUT	2			
57	68013-393	SPRING	4			

Select brand Product range Model name

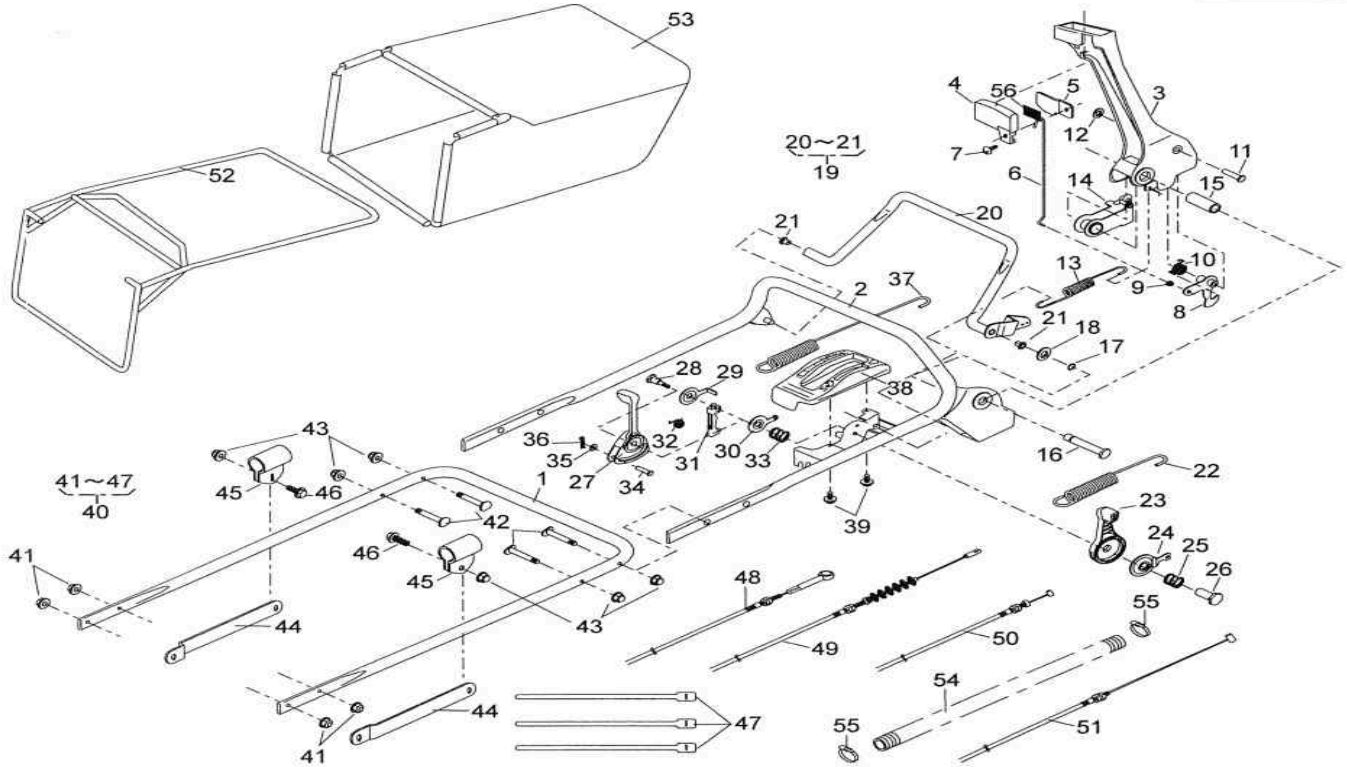
Select model code ..Choose section

Indicate component part ...Choose section

Indicate engine model ...Choose section

※Enter information in the green box to narrow down the search and then click the "Search" button.

HANDLE-HST-PRO	Date : 01. Feb, 2010	Revision : 00	Page : 1/2
Brand : IDEAL	Model : TN2160SXAK-HST-PRO	Product Code : 619552	



(A) TN2160SXAK-HST-PRO

(B)

(C)

Ref.No	Parts.No	Parts.Name	(A)Q'ty	(B)Q'ty	(C)Q'ty	Remark
1	51027-249	HANDLE	1			
2	51027-250	HANDLE	1			
3	11095-172	LEVER	1			
4	36110-102	BUTTON	1			
5	11049-109	SLIDE PLATE	1			
6	64014-336	SHAFT	1			
7	376L0612	(+)TRUSS SCREW	1			
8	71203-135	ARM C.P.	1			
9	76007-183	BUSH	1			
10	68013-371	SPRING	1			
11	31056-127	GIB-HEADED PIN	1			
12	576V0600	PUSH NUT	1			
13	68013-392	SPRING	1			
14	11109-111	LINK	1			
15	61023-190	SLEEVE	1			
16	64014-337	SHAFT	1			
17	812V0800	C-SNAP RING	1			
18	613L0800	PLAIN WASHER	1			
19	71161-114-09	LEVER ASS Y	1			
21	76007-131	BUSH	2			
22	68013-385	SPRING	1			
23	91010-147	THROTTLE LEVER	1			
24	61003-113	THRUST PLATE	1			
25	68013-356	SPRING	1			
26	31058-168	HEXAGON NUT	1			
27	11095-162	LEVER	1			
28	31057-249	BOLT	1			
29	61003-118	THRUST PLATE	1			
30	11049-108	SLIDE PLATE	1			
31	11109-112	LINK	1			

Select brand etc Product range Lawn Mower Model name TN2160SXAK-HST-PRO

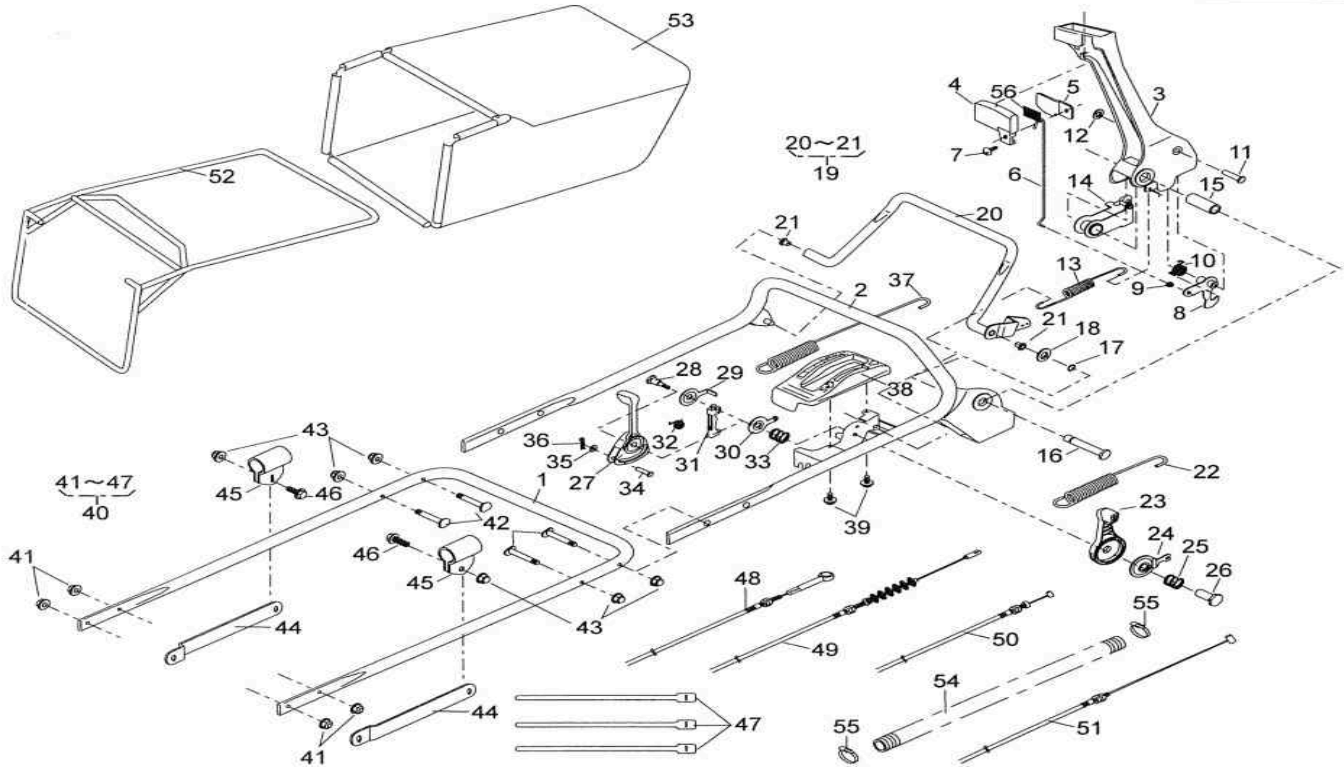
Select model code 619552 : LM5360KXA-HST-552 RD ..Choose section HANDLE-HST-PRO Reset

Indicate component part ...Choose section Reset

Indicate engine model Choose. Search ...Choose section Reset

※Enter information in the green box to narrow down the search and then click the "Search" button.

HANDLE-HST-PRO	Date : 01. Feb, 2010	Revision : 00	Page : 1/2
Brand : IDEAL	Model : TN2160SXAK-HST-PRO	Product Code : 619552	



- (A) TN2160SXAK-HST-PRO
- (B)
- (C)

32	68013-369	SPRING	1			
33	68013-356	SPRING	1			
34	31056-126	GIB-HEADED PIN	1			
35	613L0600	PLAIN WASHER	1			
36	733L0600	SNAP PIN	1			
37	68013-375	SPRING	1			
38	71900-810	COVER ASS Y	1			
39	470L0514	(+)TAPPING SCREW	2			
40	71900-845	BOLT SET	1			
41	569L0800	FLANGE NYLON NUT	4			
42	31057-256	BOLT	4			
43	583L0800	FLANGE CAP NUT	6			
44	71900-846	BAR SET	1			
45	11012-132	HANGER BAND	2			
46	31057-181	BOLT	2			
47	68028-118	WIRE BAND (GT280)	3			
48	91003-178	CONTROL CABLE(SPEED)	1			
49	91003-181	CONTROL CABLE(DRIVE)	1			
50	91001-328	THROTTLE WIRE	1			
51	91003-168	CONTROL CABLE(BBC)	1			
52	11062-178	FRAME C.P.	1			
53	36098-149	GRASS BAG C.P.	1			
54	41003-201	TUBE (15.6x800L)	1			
55	68028-119	WIRE BAND (SHT18R-W)	2			
56	36080-156	RUBBER SHEET	1			

Select brand Product range Model name

Select model code ..Choose section

Indicate component part ...Choose section

Indicate engine model Choose. ...Choose section

※Enter information in the green box to narrow down the search and then click the "Search" button.

BBC UNIT	Date : 15. Jun, 2009	Revision : 01	Page : 1/1
Product code : 71182-109	Model :		

(A) 71182-109

(B)

(C)

Ref.No	Parts.No	Parts.Name	(A)Q'ty	(B)Q'ty	(C)Q'ty	Remark
1	71182-109	BRAKE SET (BBC)	1			
2	71067-117	BRAKE ASS Y	1			
3	L51294700	BOLT	4			
4	L50749600	WASHER	1			
5	68013-320	SPRING	4			
6	611L0800	PLAIN WASHER	4			
7	61024-149	SPACER	1			
8	68013-355	SPRING	1			
10	68055-151	JOINT	1			
11	31056-125	GIB-HEADED PIN	1			
12	68036-137	WASHER (6.5x10x0.8)	1			
13	726L0216	SPLIT PIN	1			
17	31057-273	BOLT	1			

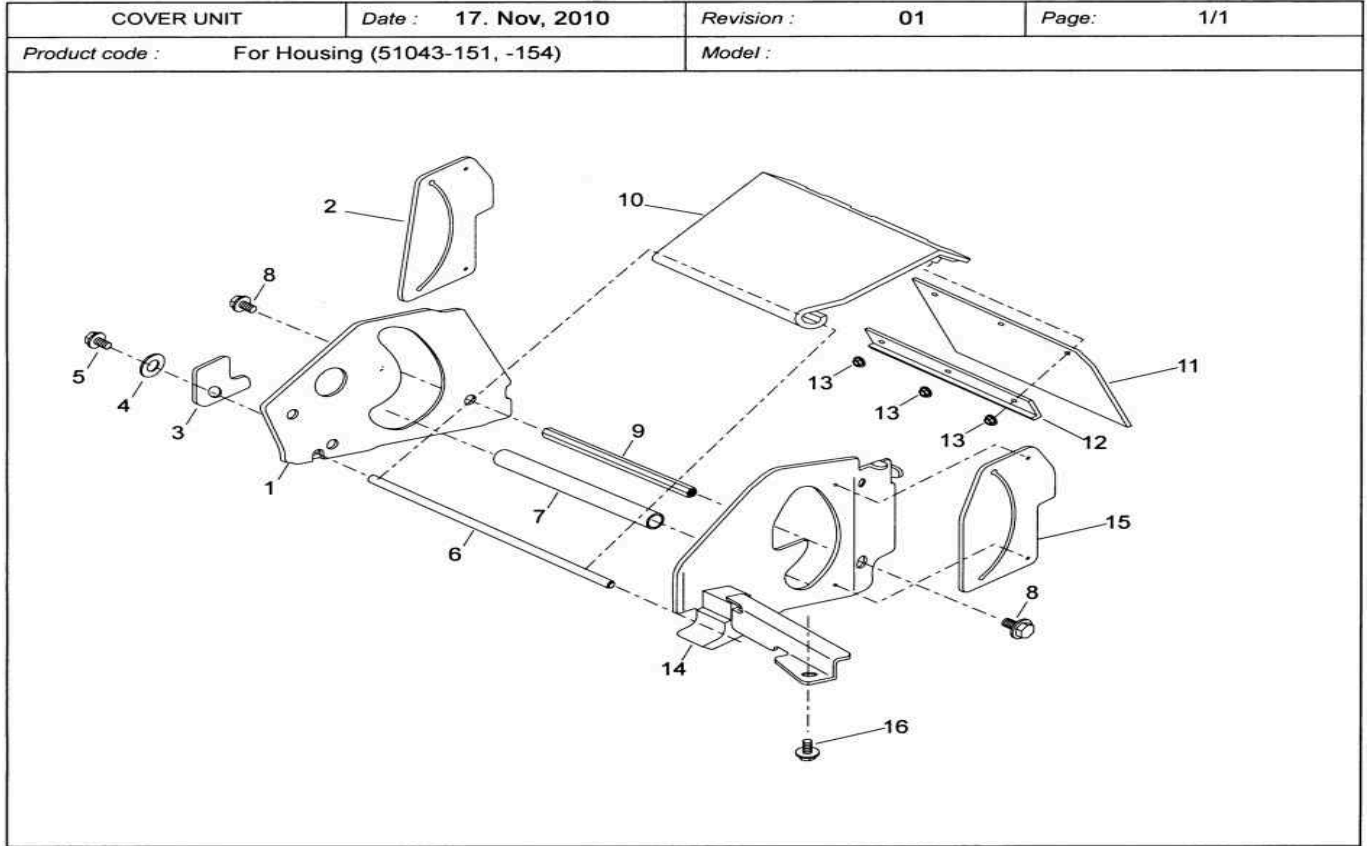
Select brand Product range Model name

Select model code ..Choose section

Indicate component part ...Choose section

Indicate engine model Search ...Choose section

※Enter information in the green box to narrow down the search and then click the "Search" button.



(A) For Housing (51043-151.-154)

(B)

(C)

Ref.No	Parts.No	Parts.Name	(A)Q`ty	(B)Q`ty	(C)Q`ty	Remark
1	11006-166	STAY C.P.	1			
2	36080-154	RUBBER SHEET	1			
3	11113-420	STAY	1			
4	613L0800	PLAIN WASHER	1			
5	423U0812	SOCKET SCREW FLANGE	1			
6	64014-373	SHAFT	1			
7	11083-387	COLLAR	1			
8	31057-181	BOLT	2			
9	64014-374	SHAFT	1			
10	51079-124	COVER C.P.	1			
11	36080-153	RUBBER SHEET	1			
12	11050-182	FIXING PLATE	1			
13	569L0400	FLANGE NYLON NUT	3			
14	11006-167	STAY C.P.	1			
15	36080-155	RUBBER SHEET	1			
16	342L0612	FLANGE TAPPING BOLT	1			

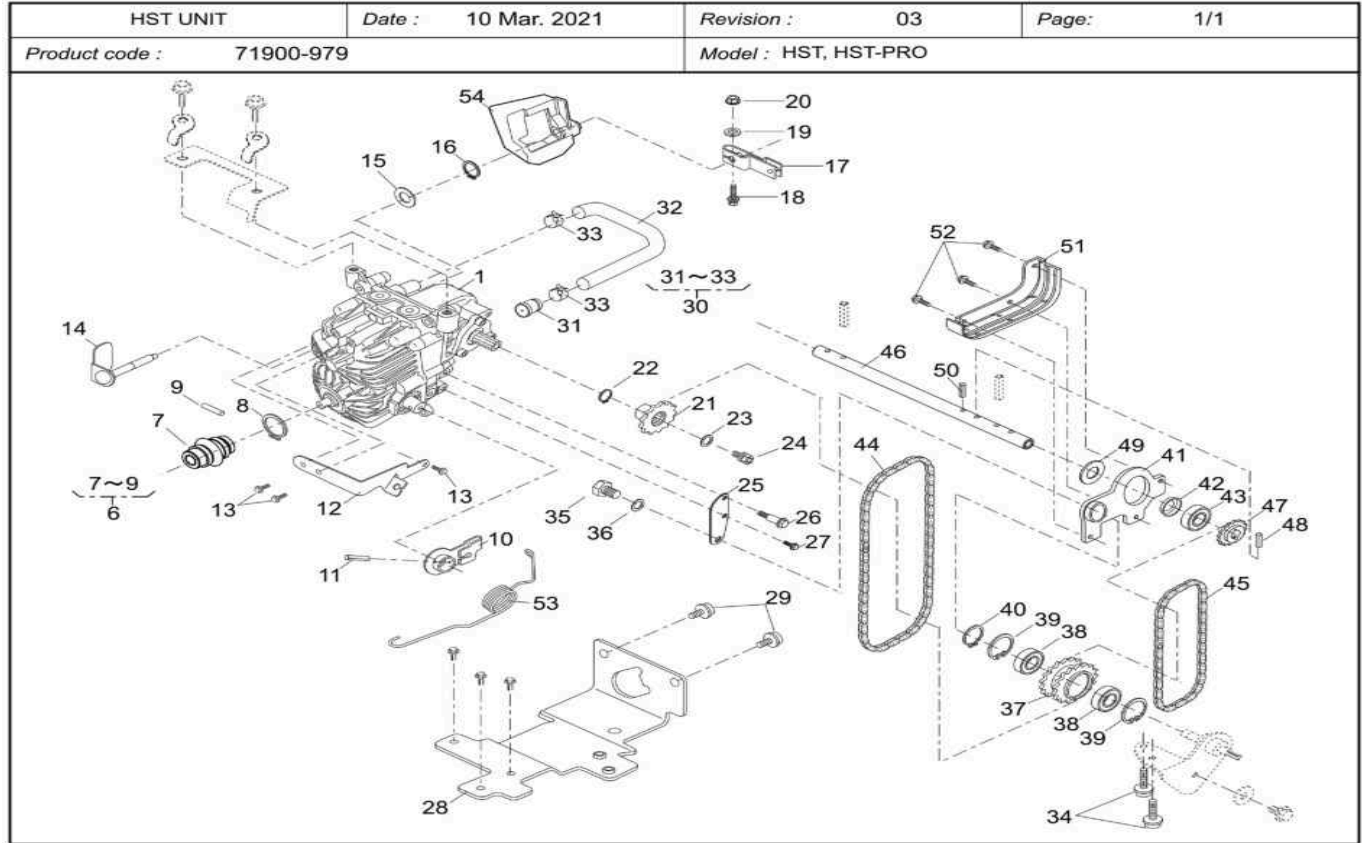
Select brand Product range Model name

Select model code ..Choose section

Indicate component part ...Choose section

Indicate engine model Search ...Choose section

※Enter information in the green box to narrow down the search and then click the "Search" button.



- (A)
- (B)
- (C)

Ref.No	Parts.No	Parts.Name	(A)Q'ty	(B)Q'ty	(C)Q'ty	Remark
1	71900-979	HST ASS Y	1			
1	71900-979	HST ASS Y	1			
6	91097-101	UNIVERSAL JOINT	1			
6	91097-101	UNIVERSAL JOINT	1			
8	812V2000	C-SNAP RING	1			
8	812V2000	C-SNAP RING	1			
9	717B0418	PARALLEL PIN	1			
9	717B0418	PARALLEL PIN	1			
10	51042-126	LEVER C.P.	1			
10	51042-126	LEVER C.P.	1			
11	711V0432	SPRING PIN	1			
11	711V0432	SPRING PIN	1			
12	51002-121	WIRE HOLDER	1			
12	51002-121	WIRE HOLDER	1			
13	335L0612	FLANGE BOLT	3			
13	335L0612	FLANGE BOLT	3			
14	71203-139	ARM C.P.	1			
14	71203-139	ARM C.P.	1			
15	68036-280	WASHER (10.5x18x1.6)	1			
15	68036-280	WASHER (10.5x18x1.6)	1			
16	812V1000	C-SNAP RING	1			
16	812V1000	C-SNAP RING	1			
17	11104-119	ARM	1			
17	11104-119	ARM	1			
18	320L0525	(+)HEX. BOLT(W/PW)	1			
18	320L0525	(+)HEX. BOLT(W/PW)	1			
19	611L0500	PLAIN WASHER	1			
19	611L0500	PLAIN WASHER	1			
20	571L0500	FLANGE NUT	1			
20	571L0500	FLANGE NUT	1			

21	36112-142	SPROCKET	1			
21	36112-142	SPROCKET	1			
22	812V1500	C-SNAP RING	1			
22	812V1500	C-SNAP RING	1			
23	68036-125	WASHER (6.5x18x1.6)	1			
23	68036-125	WASHER (6.5x18x1.6)	1			
24	312L0612	HEXAGON BOLT(W/SW)	1			
24	312L0612	HEXAGON BOLT(W/SW)	1			
25	11113-414	STAY	1			
25	11113-414	STAY	1			
26	31062-109	PRE-COAT LOCK BOLT	1			
26	31062-109	PRE-COAT LOCK BOLT	1			
27	335L0612	FLANGE BOLT	1			
27	335L0612	FLANGE BOLT	1			
28	11137-131	BASE C.P.	1			
28	11137-131	BASE C.P.	1			
29	423U0816	SOCKET SCREW FLANGE	2			
29	423U0816	SOCKET SCREW FLANGE	2			
30	71900-980	AIR BREATHER ASS Y	1			
30	71900-980	AIR BREATHER ASS Y	1			
31	91096-103	BREATHER	1			
31	91096-103	BREATHER	1			
32	36082-125	TUBE	1			
32	36082-125	TUBE	1			
33	68031-144	HOSE BAND	2			
33	68031-144	HOSE BAND	2			
34	423U0820	SOCKET SCREW FLANGE	2			
34	423U0820	SOCKET SCREW FLANGE	2			
35	311K0812	HEX. BOLT	1			
35	311K0812	HEX. BOLT	1			
36	661L0800	SPRING LOCK WASHER	1			
36	661L0800	SPRING LOCK WASHER	1			
37	36112-143	SPROCKET	1			
37	36112-143	SPROCKET	1			
38	916B6002	BEARING (6002DDC3)	2			
38	916B6002	BEARING (6002DDC3)	2			
39	811V3200	C-SNAP RING	2			
39	811V3200	C-SNAP RING	2			
40	812V1500	C-SNAP RING	1			
40	812V1500	C-SNAP RING	1			
41	11115-124	TENSION ARM	1			
41	11115-124	TENSION ARM	1			
42	11102-228	HOLDER	1			
42	11102-228	HOLDER	1			
43	916B6202	BEARING (6202DDC3)	1			
43	916B6202	BEARING (6202DDC3)	1			
44	91074-138	CHAIN	1			
44	91074-138	CHAIN	1			
45	91074-139	CHAIN	1			
45	91074-139	CHAIN	1			
46	64014-366	SHAFT	1			
46	64014-366	SHAFT	1			
47	36112-144	SPROCKET	1			
47	36112-144	SPROCKET	1			
48	31034-137	PIN	1			
48	31034-137	PIN	1			
49	68036-275	WASHER (15.2x26x3.2)	1			
49	68036-275	WASHER (15.2x26x3.2)	1			
50	711V0522	SPRING PIN	1			
50	711V0522	SPRING PIN	1			
51	36068-200	GUARD	1			
51	36068-200	GUARD	1			
52	318L0612	(+)HEX. BOLT(W/SW)	3			
52	318L0612	(+)HEX. BOLT(W/SW)	3			
53	68013-390	SPRING	1			
53	68013-390	SPRING	1			
54	36065-479	COVER	1			
54	36065-479	COVER	1			

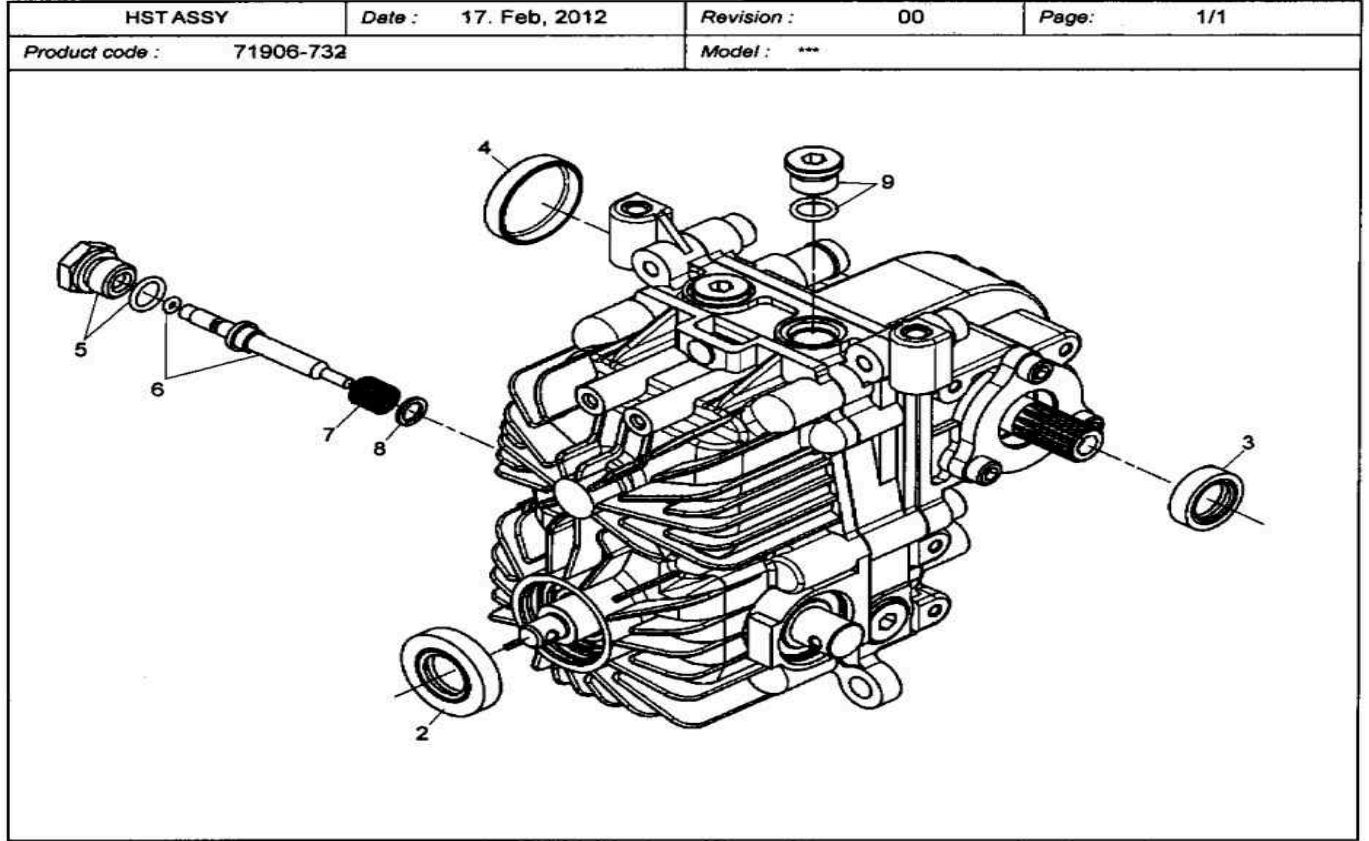
Select brand Product range Model name

Select model code ..Choose section

Indicate component part ...Choose section

Indicate engine model Search ...Choose section

※Enter information in the green box to narrow down the search and then click the "Search" button.



- (A)
- (B)
- (C)

Ref.No	Parts.No	Parts.Name	(A)Q'ty	(B)Q'ty	(C)Q'ty	Remark
1	71906-732	HST ASS Y	1			
2	61002-201	OIL SEAL (TC17357)	1			
3	61002-200	OIL SEAL (TC15247)	1			
4	91033-106	!BLIND COVER	1			
5	71906-208	!BYPASS PLUG ASSY	1			
6	71906-207	!BYPASS SHAFT ASS Y	1			
7	68013-420	SPRING	1			
8	68036-294	WASHER	1			
9	71906-211	PLUG ASS Y	1			